

Product information presented here reflects conditions at time of publication. Consult factory regarding discrepancies or inconsistencies.



MAIL TO: P.O. BOX 16347 • Louisville, KY 40256-0347
SHIPTO: 3649 Cane Run Road • Louisville, KY 40211-1961
TEL: (502) 778-2731 • 1 (800) 928-PUMP • **FAX:** (502) 774-3624

Visit our web site:
zoellerpumps.com

REPLACEMENT PARTS LIST FOR MODELS:

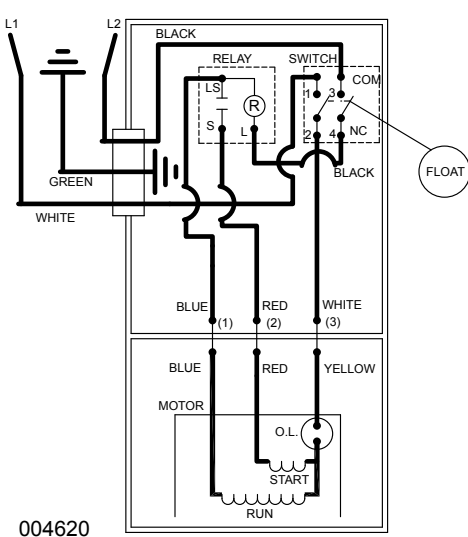
H137 AUTOMATIC 200V/1PH
I137 NONAUTOMATIC 200V/1PH
J137 NONAUTOMATIC 200V/3PH
F137 NONAUTOMATIC 230V/3PH
G137 NONAUTOMATIC 460V/3PH

Consult factory for all other models

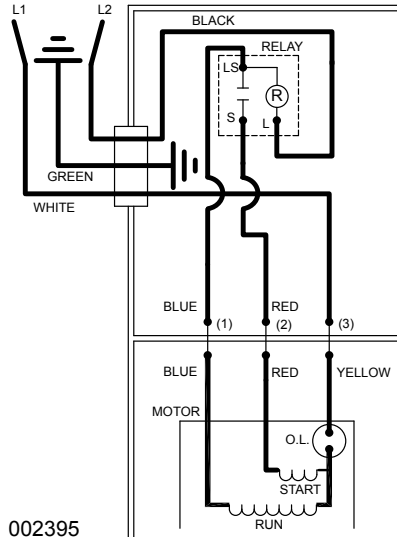
TO ORDER REPLACEMENT PARTS:

PLEASE FURNISH THE FOLLOWING INFORMATION:

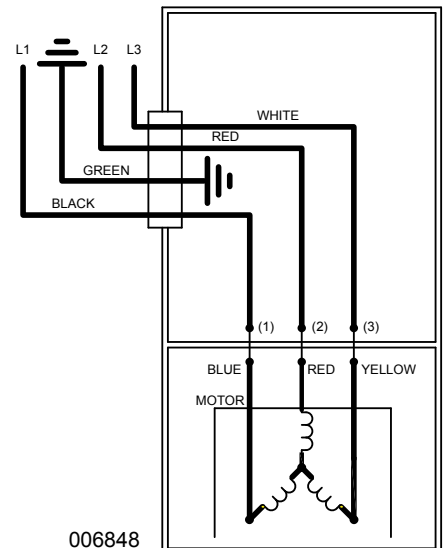
- Model Number.
- Part Number of Pump.
- Part Number and Description of part.



WIRING DIAGRAM FOR MODELS
"H137" All Revisions
9/86 thru Current



WIRING DIAGRAM FOR MODEL
"I137" All Revisions
9/86 thru Current



WIRING DIAGRAM FOR MODELS
"J137", "F137" and "G137" All Revisions
9/86 thru Current

REPLACEMENT PARTS LIST FOR MODEL "H137"

See page 3 for illustration.

MODEL: H137-C				
REF. NO.	DESCRIPTION	QTY	NOTES	9/86 thru Current
1	• HANDLE	1		267032
2	CASE-MACH	1		004610
3	• GASKET, CASE/COVER	1		267007
4	RELAY ASM	1		001536
5	• WIRE PKG (2) WIRES	1		267014
6	• SEAL, THRU WALL TERM.	3		003402
7	• PLUG, TEST	2		034090
8	• CLAMP, STRAIN RELIEF	1		001770
9	CORD TERM. & SEAL	1		006930
10	• SEAL, CORD-ASM. & STRAIN RELIEF	1		094032
11	• GUARD	1		267008
12	FLOAT, POLYPROPYLENE	1		034019
13	• ARM & SEAL ASM.	1		004741
14	CASE & SWITCH ASM.	1		004739
15	SWITCH ASM.	1		004740
16	ROD, FLOAT-MOLDED	1		001526
17	HOUSING, MTR. & STR.	1	1, 2	003781
18	ROTOR ASM.	1	2	267005
19	• SEAL MTR. HSG.	1		267006
20	• WASHER, TRST.-NYL.	1		002140
21	HOUSING, PUMP-MACH.	1		137004
22	• OIL, DIELECTRIC (24.5 OZ)	1		267056
23	GUIDE ASM., FLT. ROD	1		004676
24	• SEAL ASM., SHAFT	1		267027
25	IMPELLER "137"	1		137006
26	BASE, MACH.	1		001509
27	• SCREW, .25-20X.75 HHM-SS	9		001916
28	• SCREW, #6-32X.438RH PH TP PE 23	2		004644
29	• SCREW, #10-24X.375RHM-SL SS	3		001883
30	• SCREW, #6-32X.25RHM SLTC STLGR	3		001877
31	• SCREW, .25-20X.875"LG HH SS	4		012491
▣	REBUILD KIT, 3PH "137"	1		009508

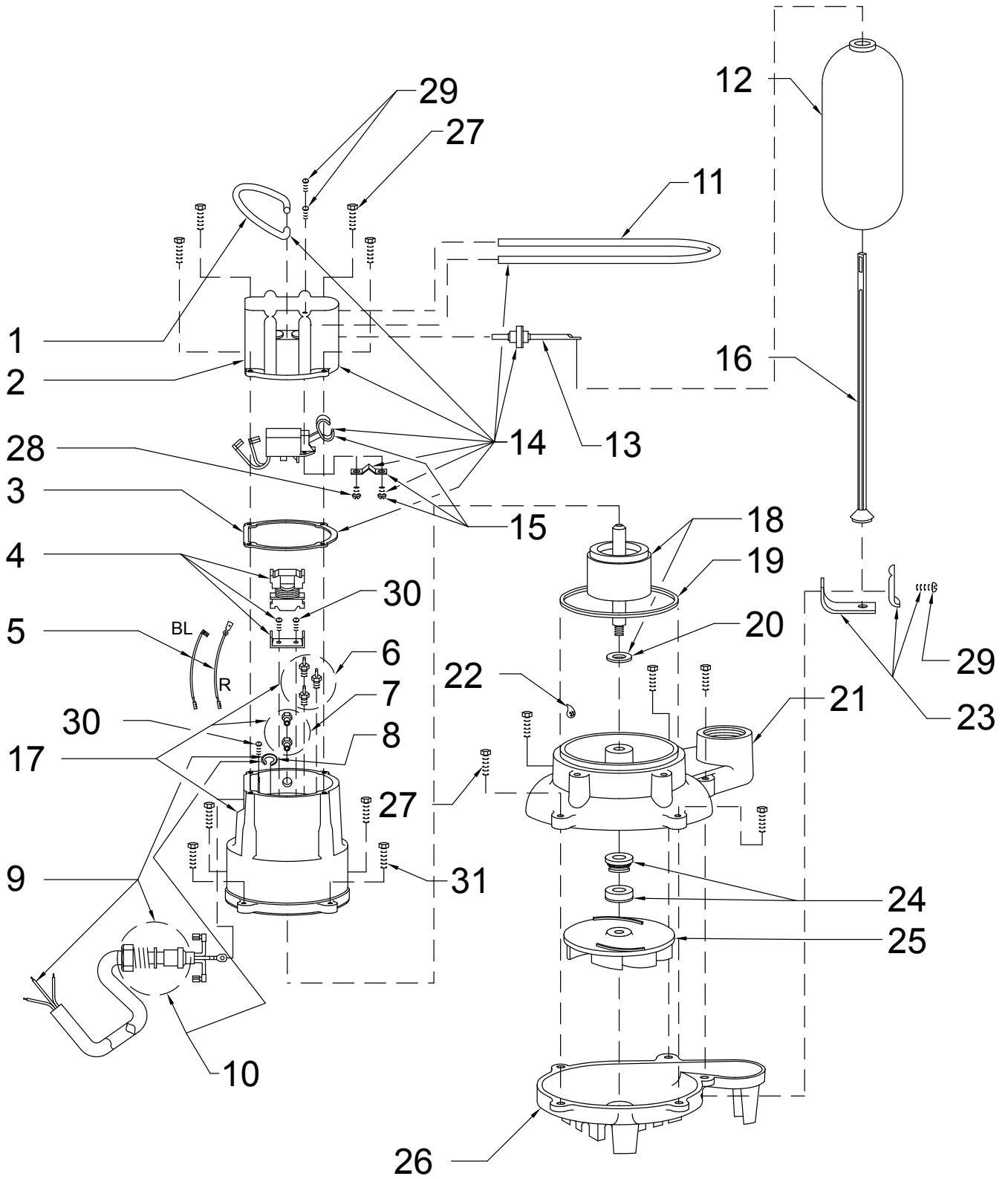
• Items included in Rebuild Kit.

▣ Not shown in illustration.

NOTES:

- 1) Motor housing, bearing, stator & terminal (Item 17) are preassembled at the factory and must be replaced as a unit. Stator is permanently attached to motor housing. Plug, test (Item 7) and seal, thru wall terminal (Item 6) are replaceable.
- 2) When ordering motor housing, bearing, stator and terminal, or rotor and bearing, specify either GE or Emerson motor.
- 3) See FM0160 parts price sheet for listing of parts prices.

REPLACEMENT PARTS ILLUSTRATION FOR MODELS "H137"



SK2608

REPLACEMENT PARTS LIST FOR MODEL "I137"

See page 5 for illustration.

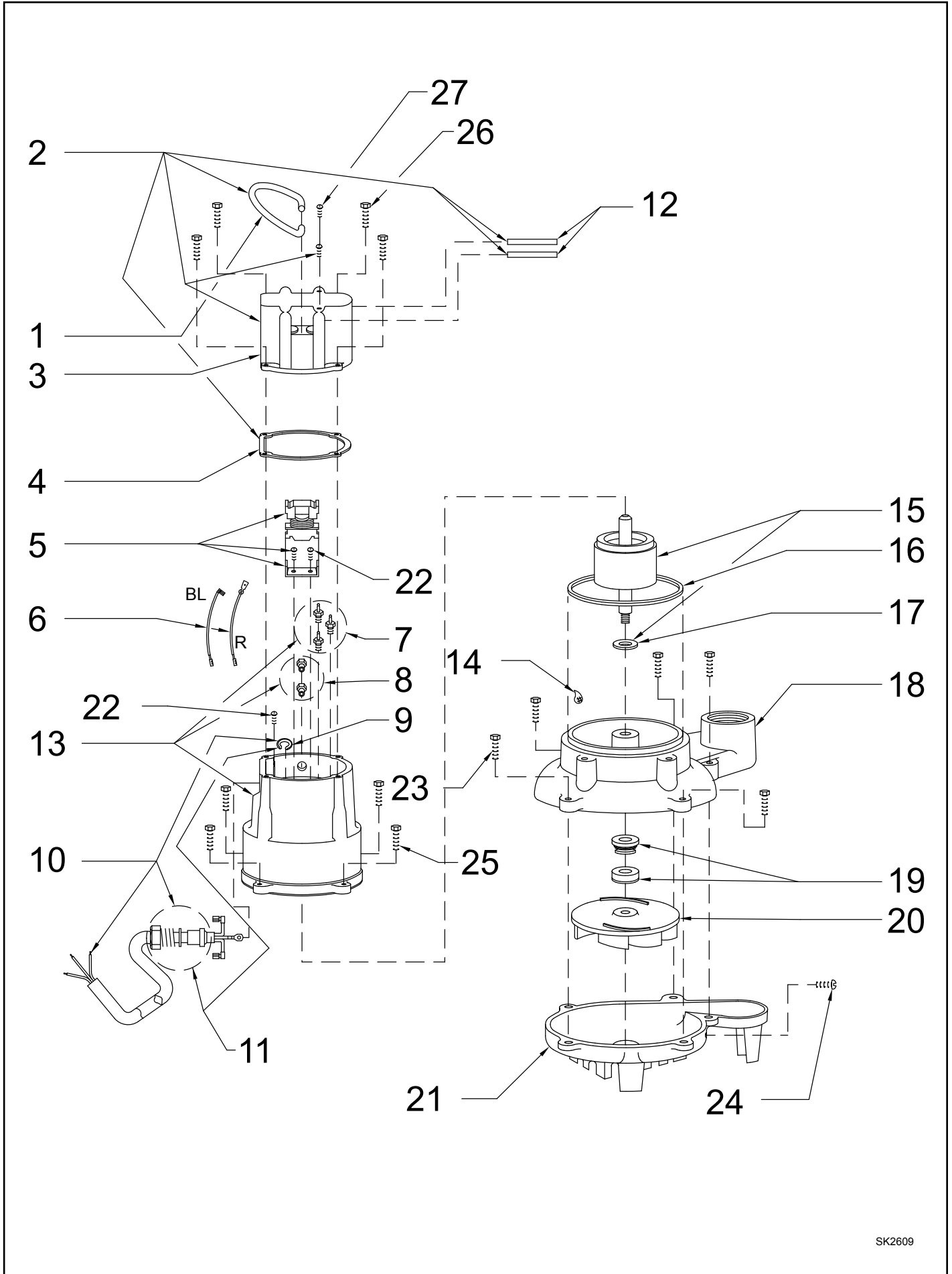
MODEL: I137-C				
REF. NO.	DESCRIPTION	QTY	NOTES	9/86 thru Current
1	• HANDLE	1		267032
2	COVER & HANDLE ASM	1		267051
3	COVER & GASKET/NA	1		267052
4	• GASKET,CASE/COVER	1		267007
5	RELAY ASM	1		001536
6	• WIRE PKG (2)WIRES	1		267014
7	• SEAL,THRU WALL TERM	3		003402
8	• PLUG,TEST	2		034090
9	• CLAMP,STRAIN RELIEF	1		001770
10	CORD TERM&SEAL 15'	1		007071
11	• SEAL,CORD ASM & STRAIN RELIEF	1		011626
12	RETAINER,HDL-NA	2		267053
13	HOUSING,MTR-& STR	1	1, 2	003781
14	• OIL,DIELECTRIC (24.5 OZ)	1		267056
15	ROTOR ASM	1	2	267005
16	• SEAL,MTR HSG	1		267006
17	• WASHER,TRST-NYL	1		002140
18	HOUSING,PUMP-MACH	1		137004
19	• SEAL ASM,SHAFT	1		267027
20	IMPELLER "137"	1		137006
21	BASE-MACH	1		001509
22	• SCREW,#6-32X.25RHM SL TC STLGR	2		001877
23	• SCREW,.25-20X.75 HHM-SS/INDENTED/UNSLOTTED	9		001916
24	• SCREW,#10-24 X.375 RHM-SL SS	3		001883
25	• SCREW,.25-20X.875"LG HH SS/INDENTED/UNSLOTTED	4		012491
☐	REBUILD KIT "130/260" (9/86 THRU CURRENT)	1		004743

• Items included in Rebuild Kit. ☐ Not shown in illustration.

NOTES:

- 1) Motor housing, bearing, stator & terminal (Item 13) are preassembled at the factory and must be replaced as a unit. Stator is permanently attached to motor housing. Plug, test (Item 8) and seal, thru wall terminal (Item 7) are replaceable.
- 2) When ordering motor housing, bearing, stator and terminal, or rotor and bearing, specify either GE or Emerson motor.
- 3) See FM0160 parts price sheet for listing of parts prices.

REPLACEMENT PARTS ILLUSTRATION FOR MODELS "I137"



SK2609

REPLACEMENT PARTS LIST FOR MODEL "F, G & J137"

See page 7 for illustration.

REF. NO.	DESCRIPTION	QTY	NOTES	MODELS:			
				F137-C	G137-C	J137-C	
1	COVER & HANDLE ASM	1		10/92 thru Current	267051	267051	267051
2	• HANDLE	1		267032	267032	267032	267032
3	COVER & GASKET/NA	1		267052	267052	267052	267052
4	• GASKET, CASE/COVER	1		267007	267007	267007	267007
5	HOUSING, MTR & STR	1	1 & 2	004966	009510	009511	009511
6	CLAMP, STRAIN RELIEF	1		001770	001770	001770	001770
7	CORDAGE TERM & SEAL/15'	1		003761	003761	003761	003761
8	• SEAL, CORD-ASM & STRAIN RELIEF	1		011656	011656	011656	011656
9	• PLUG, TEST	2		034090	034090	034090	034090
10	• SEAL, THRU WALL TERM	3		003402	003402	003402	003402
11	RETAINER, HDL-NA	2		267053	267053	267053	267053
12	• SCREW, #10-24X.375 RHM-SL SS	3		001883	001883	001883	001883
13	• SCREW, .25-20X.75 HHM-SS	9		001916	001916	001916	001916
14	ROTOR ASM	1	2	009506	009506	009506	009506
15	• WASHER, TRST-NYL	1		002140	002140	002140	002140
16	• SEAL, MTR HSG	1		267006	267006	267006	267006
17	• OIL, DIELECTRIC (24.5 OZ)	1		267056	267056	267056	267056
18	HOUSING, PUMP-MACH	1		137004	137004	137004	137004
19	• SEAL ASM, SHAFT	1		267027	267027	267027	267027
20	IMPELLER 3PH "137"	1		009507	009507	009507	009507
21	BASE-MACH	1		001509	001509	001509	001509
22	• SCREW, #6-32X.25RHM SL TC STLGR	3		001877	001877	001877	001877
23	NUT 5/16-24 ACORN	1		004348	004348	004348	004348
24	• SCREW, .25-20X.875"LG HH SS	4		012491	012491	012491	012491
▣	REBUILD KIT 3PH "137"	1		009508	009508	009508	009508

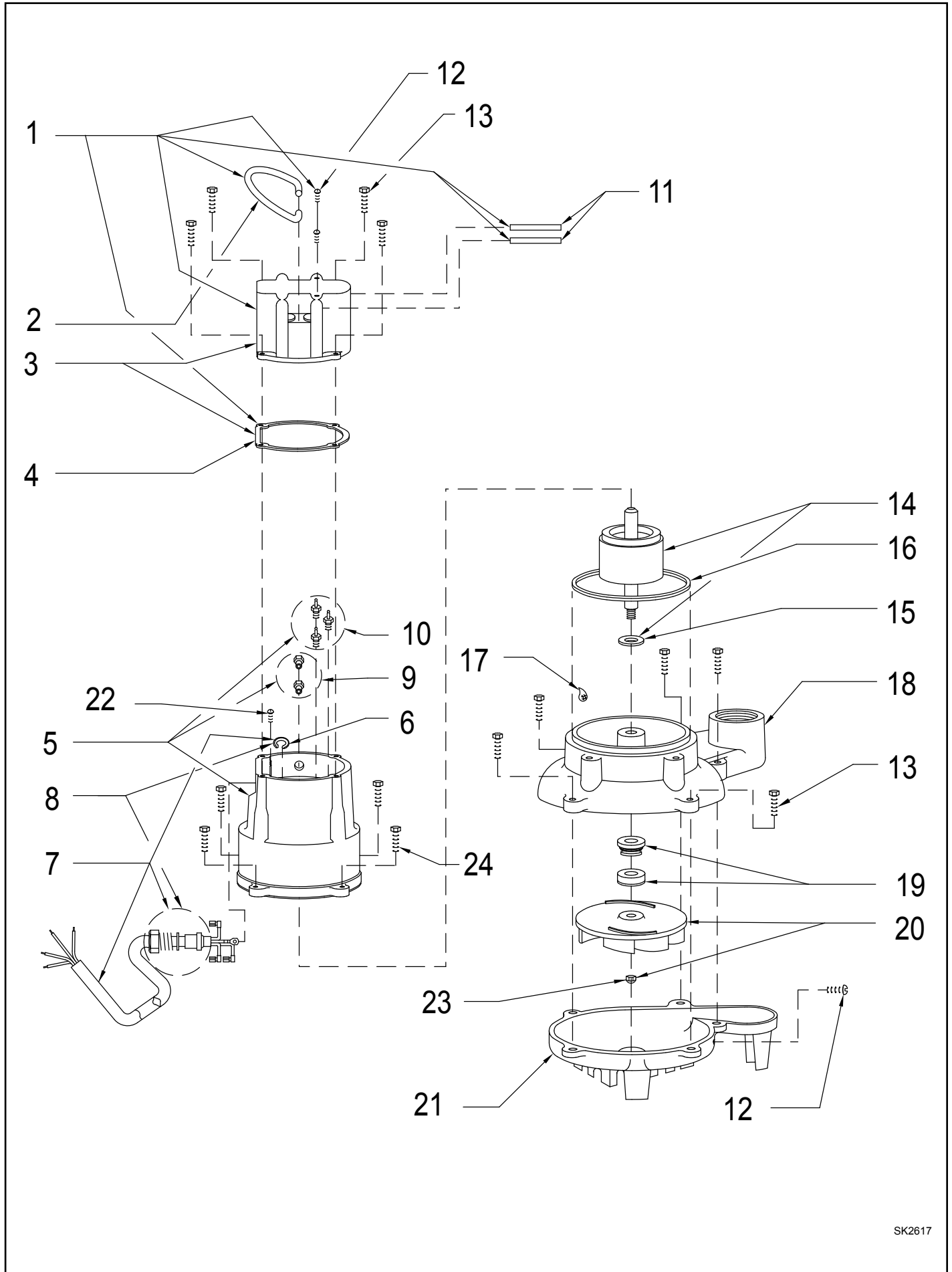
• Items included in Rebuild Kit.

▣ Not shown in illustration.

NOTES:

- 1) Motor housing, bearing, stator & terminal (Item 5) are preassembled at the factory and must be replaced as a unit. Stator is permanently attached to motor housing. Plug, test (Item 9) and seal, thru wall terminal (Item 10) are replaceable.
- 2) When ordering motor housing, bearing, stator and terminal, or rotor and bearing, specify either GE or Emerson motor.
- 3) See FM0160 parts price sheet for listing of parts prices.

REPLACEMENT PARTS ILLUSTRATION FOR MODELS "F, G & J137"



SK2617



MAIL TO: P.O. BOX 16347 • Louisville, KY 40256-0347
SHIP TO: 3649 Cane Run Road • Louisville, KY 40211-1961
(502) 778-2731 • 1 (800) 928-PUMP • **FAX** (502) 774-3624

Trusted. Tested. Tough.™

Visit our web site:
zoellerpumps.com